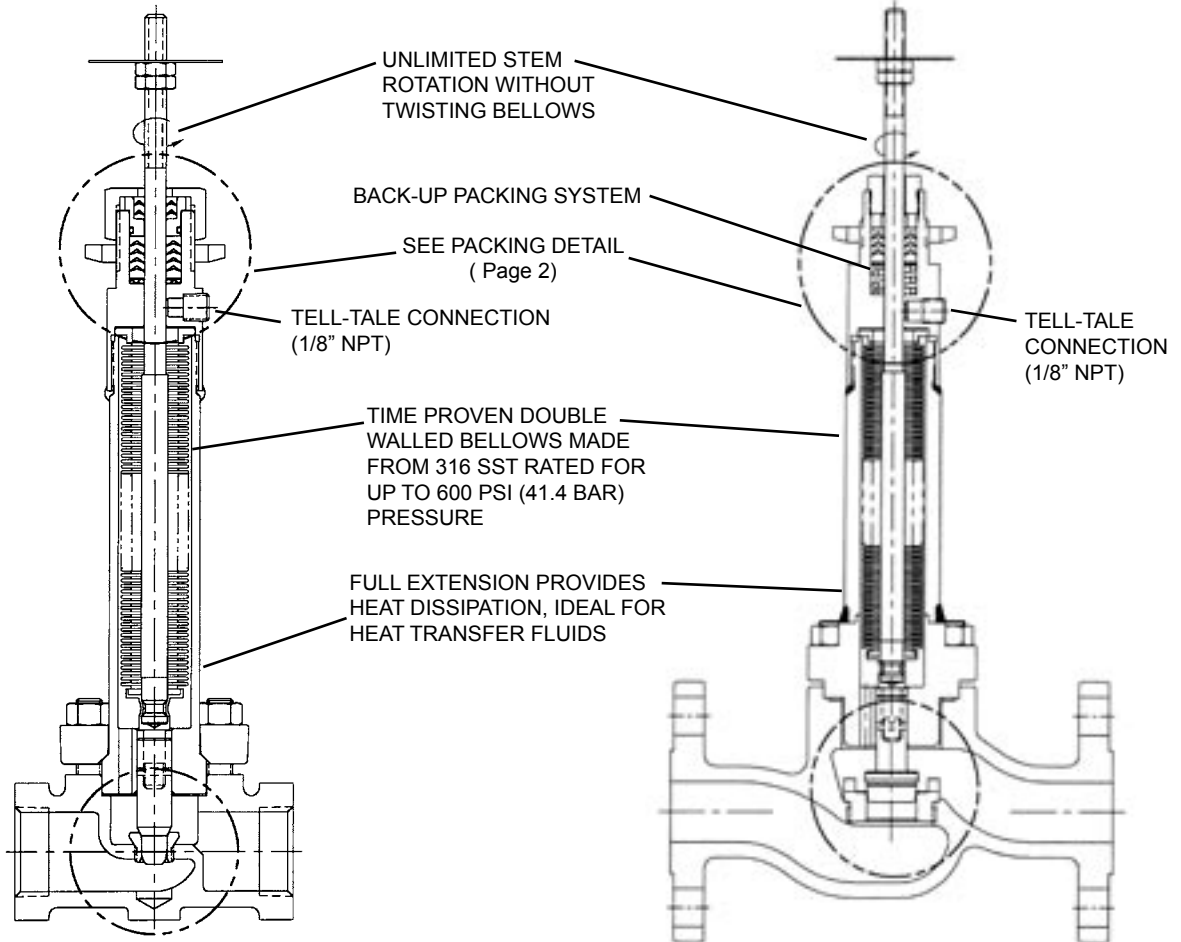


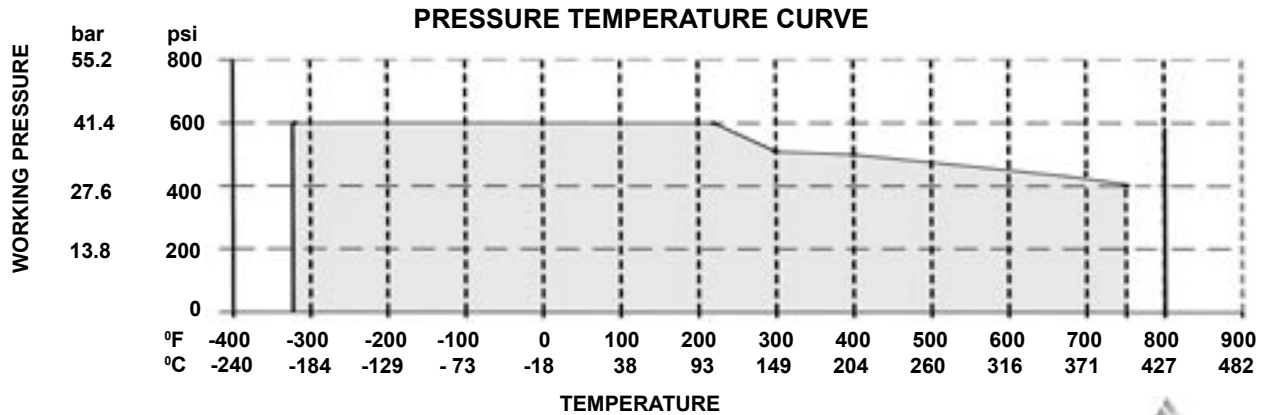
# NOLEEK® Valve Bonnet Assembly

The ultimate in reliability and user-friendliness. Typical service life is in excess of 250,000 full cycles under 100 psi pressure. The bonnet adds only approximately 5" to the height of a standard valve. Operating temperature range is -320°F to 750°F (-195°C to 398°C).



**Figure 1.** 24000S Screwed Seat

**Figure 2.** 24000SVF Integral Seat Valve Body Shown



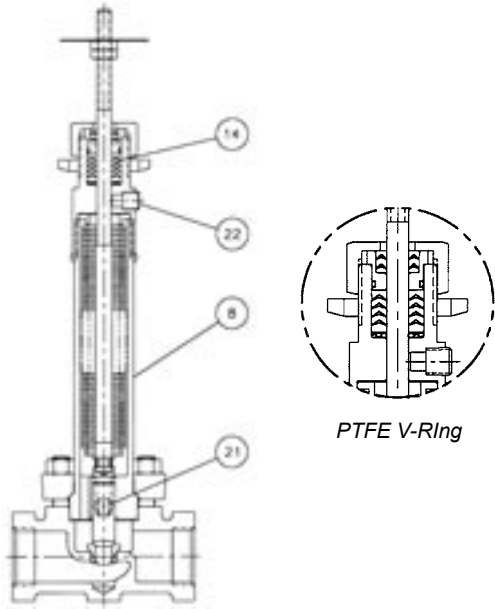


Figure 3. 24000S with Bellows Bonnet and Packing Detail

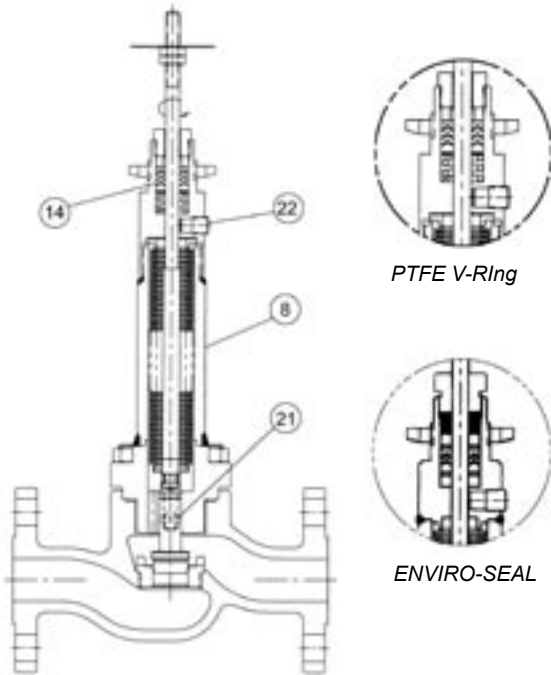


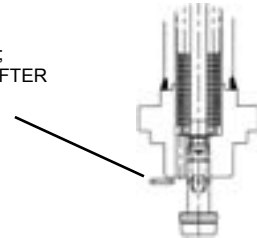
Figure 4. 24000SVF with Bellows Bonnet and Packing Detail

Table 1. NOLEEK Bellows Common Parts

| KEY NO. | DESCRIPTION   | MODEL 24000S PART NO. | MODEL 24000SVF PART NO. |
|---------|---|-----------------------|-------------------------|
| 8       | Complete Bellows/Bonnet Subassembly, 0.5 in (DN15)  | 24583-1               | 24000-130               |
|         | Complete Bellows/Bonnet Subassembly, 0.75 in (DN20) | N/A                   |                         |
|         | Complete Bellows/Bonnet Subassembly, 1.0 in (DN25)  | 24583-1               | 24000-330               |
|         | Complete Bellows/Bonnet Subassembly 1.5 in (DN40)   | 24584-1               | 24000-530               |
|         | Complete Bellows/Bonnet Subassembly 2.0 in (DN50)   | 24585-1               | 24000-630               |
|         | Complete Bellows/Bonnet Subassembly 3.0 in (DN80)   | 24586-1               | N/A                     |
| 14      | Packing Kit (standard)                              | 24461-1               | 24494T001               |
|         | Packing Kit (ENVIRO-SEAL®)                          | N/A                   | 24490T001               |
| 21      | Plug Retaining Pin*                                 | 971342-005-163        | 971342-005-163          |
| 22      | Hex Socket Pipe Plug, 1/8 in NPT Stainless Steel    | 81307                 | 81307                   |

\* To order Plug & Retaining Pin refer to appropriate valve bulletin for a complete listing of part numbers.

FOR REMOVAL OF PLUG:  
SIMPLY PUSH OUT PIN AFTER  
EXTENDING BELLOWS



**WARNING**

The Baumann NOLEEK valve bonnet assembly is not intended for use in lethal service applications!

Fisher Controls International LLC, is a member of the Emerson Process Management business division of Emerson Electric Co. The Emerson logo is a trademark and service mark of Emerson Electric Co. All other marks are the property of their respective owners. This product may be covered under the following patent 5,058,861 or under pending patent applications.

The contents of this publication are presented for informational purposes only, and while every effort has been made to ensure their accuracy, they are not to be construed as warranties or guarantees, express or implied, regarding the products or services described herein or their use or applicability. We reserve the right to modify or improve the designs or specifications of such products at any time without notice.

Fisher does not assume responsibility for the selection, use or maintenance of any product. Responsibility for proper selection, use and maintenance of any Fisher product remains solely with the purchaser and end-user.

**Emerson Process Management**  
**Fisher Controls International LLC**  
**Baumann Valve Division**  
130 International Drive  
Portsmouth, NH 03801  
T 1 (603) 766-8500  
F 1 (603) 766-8590  
[www.baumann.com](http://www.baumann.com)